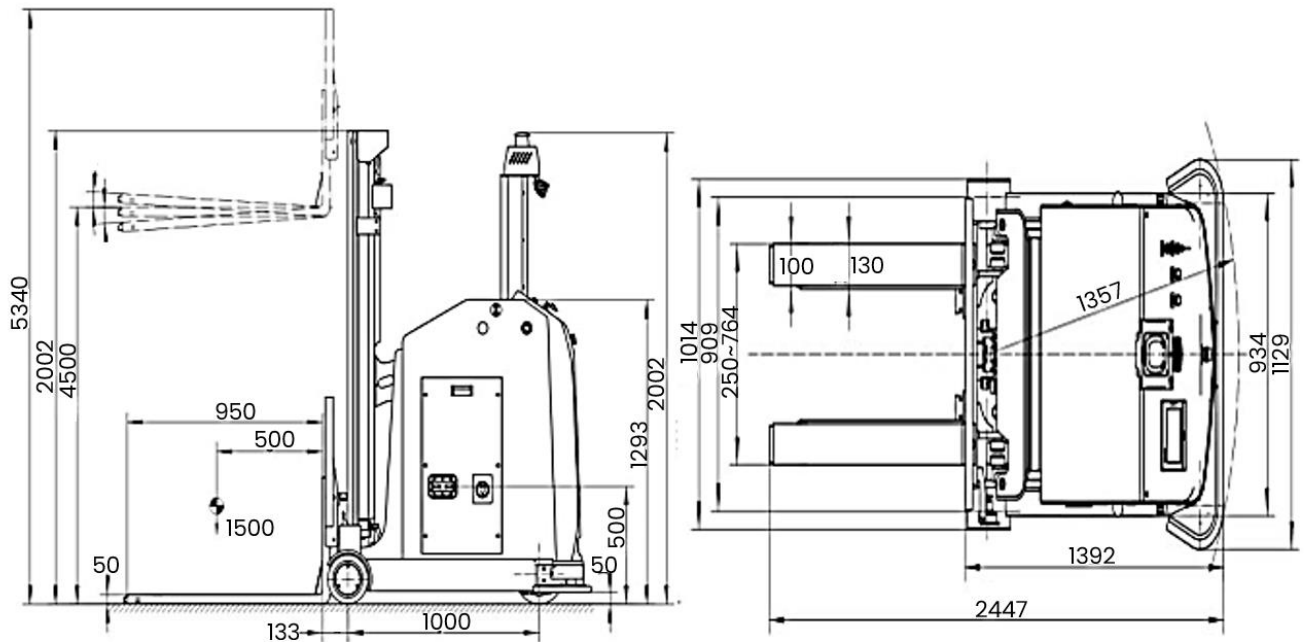


Autonomous Forklift R1500F3-CBH45-M

LiDAR SALM Navigation + 1500Kg Load



Dimension



Specification

Model		R1500F-CBH30 (two-stage)	R1500F3-CBH45 (three-stage)
Powering type			Electric
Driving mode			AGV
Payload	Q		1500 kg
Load center distance	C		500 mm
Front overhang	X		133 mm
Wheelbase	y		1000 mm

Weight

Weight (with battery)		2700 kg	2850 kg
-----------------------	--	---------	---------

Wheel

Tyre type			Polyurethane
Dimensions driving wheel	$\phi \times W$		$\phi 254 \times 100$ mm
Dimensions bearing wheel	$\phi \times W$		$\phi 210 \times 85$ mm
Wheel number driving side (x = drive wheel)/bearing side			1x/2
Wheelbase bearing side	b11		909 mm

Basic Sizes

Total height	h1		2002 mm
Free lift height	h2	0 mm	1540 mm
Lifting height	h3	3000 mm	4500 mm
Height of gantry deployment	h4	3840 mm	5340 mm
Fork surface height from the ground (when the fork is at its lowest level)	h5		50 mm
Charging brush plate height above the ground	h6		500 mm
Fork tilt angle (forward /backward)	α/β		0
Overall length	L1		2447 mm
Body length (without forks)	L2		1392 mm
Overall width	b1		1129 mm
Fork dimensions	l/e/s		950/100/40 mm
Fork outer width	b5		250~764 mm
Minimum Ground Clearance	m1		50 mm

Specification		
Performance Parameters		
Driving speed (full load / no load)		5/5 km/h
Lifting speed (full load / no load)		95/120 mm/s
Lowering speed (full load / no load)		120/85 mm/s
Climbing performance (full load / no load)		5/8 %
Braking method		Electromagnetic brake
Motor		
Drive motor power		3 kw
Lifting motor power		3 kw
Steering motor power		0.6 kw
Battery type		lithium iron phosphate
Battery Voltage / Rated Capacity		24/210 V/Ah
Battery weight		58
Others		
Noise near the driver's ear		≤75 dB(A)
Minimum turning radius	Wa	1357 mm
Minimum right-angle stacking aisle width	Ast	2570+200 mm
Right-angle stacking aisle width, pallet 1000 x 1000	Ast	2600+200 mm

Mast Parameters											
Two-stage gantry											
Free lifting height	h2	mm	0	0	0	0	0	0	0	0	0
Lifting height	h3	mm	2000	2300	2500	2700	3000	3300	3500	3700	4000
Gantry deployment height	h4	mm	2840	3140	3340	3540	3840	4140	4340	4540	4840
Gantry closing height	h7	mm	1510	1660	1760	1860	2010	2160	2260	2360	2560
Three-stage gantry											
Free lifting height	h2	mm	0	0	0	0	0	0	0	0	0
Lifting height	h3	mm	2000	2300	2500	2700	3000	3300	3500	3700	4000
Gantry deployment height	h4	mm	2840	3140	3340	3540	3840	4140	4340	4540	4840
Gantry closing height	h7	mm	1510	1660	1760	1860	2010	2160	2260	2360	2560

CPD15		Lifting weight (kg)					
		Load center distance (mm)					
No.	Maximum lifting height (m)	500 (rated)	600	700	800	900	1000
1	≤3	1500	1290	1140	1010	920	830
2	3.3	1350	1160	1020	910	820	750
3	3.5	1250	1080	950	840	760	690
4	3.7	1200	1030	910	810	730	670
5	4	1100	950	830	740	670	610
6	4.3	1000	860	760	670	610	550
7	4.5	910	780	690	610	550	500
8	5	780	670	590	530	470	430
9	5.3	700	600	530	470	430	390
10	5.5	630	540	470	420	380	350
11	6	550	470	410	370	330	300