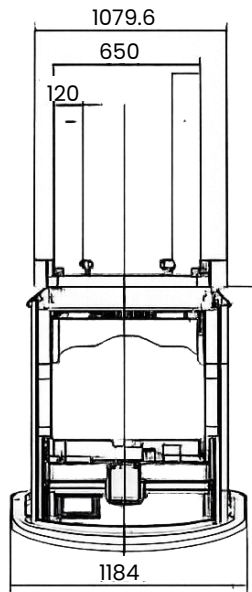
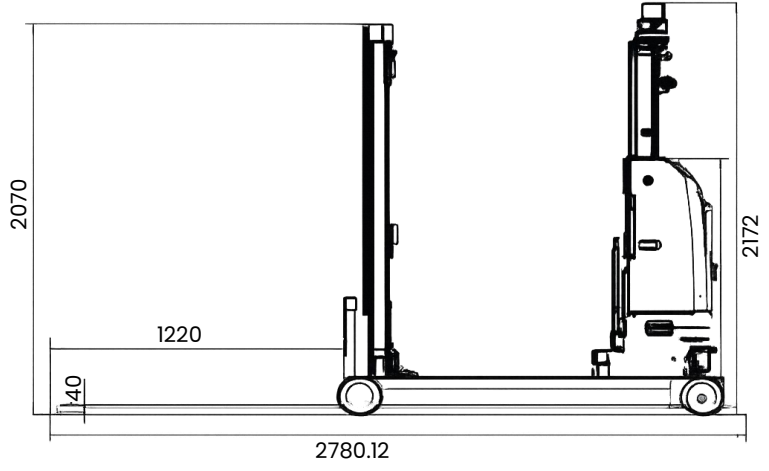
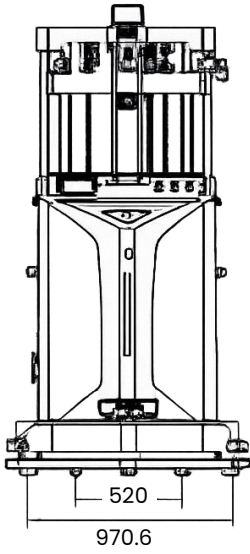


Autonomous Forklift R1400-LH30-M

LiDAR SLAM Navigation + 1400KG Payload



Dimension



Specification	
Basic parameters	
Name	Autonomous Forklift R1400-LH30-M
Operation type	Automatic navigation, by manual control device
Navigation type	Laser SLAM
Pallet type	Open Pallet / Closed Pallet
Rated load capacity	1400 kg
Load center distance	500 mm
Weight (with battery)	1890 kg
Standard lifting height	3000 mm
Forklift dimensions (L x W x H)	2264 x 1184 x 2172 mm
Fork dimensions (L x W x H)	1220 x 120 x 40 mm
Fork outer width	650 mm
Right-angle stacking aisle width, pallet 1000×1200 (1200 placed along the fork)	2195 / 2255 mm
Right-angle stacking aisle width, pallet 800×1200 (1200 placed along the fork)	2125/2185 mm
Minimum turning radius	1480 mm
Ambient temperature and humidity range	TEMP: 0°C to 50°C / RH: 10% to 90%, no compression, no condensation
Performance Parameters	
Driving speed (full load / no load)	1.2/1.5 m/s
Possibility (slope / step / gap)	≤5% / 20 mm / 30 mm
Navigation position accuracy	±10 mm
Navigation angle accuracy	±0.5°
Battery Parameters	
Battery specifications	DC24V /180Ah (lithium iron phosphate)
Comprehensive battery life	10 hr.
Charging time (10% to 80%)	2 hr.
Charging method	Manual / Automatic
Safety Parameters	
Emergency stop button	✓
Sound and light indicator	✓
Braking distance 1 m/s / 1.5 m/s	≤30 / ≤50cm
360° laser protection	✓
Bumper strip	✓
Fork height protection	✓
Functions Parameters	
Lidar number	1(P+F R2000) +3(OLEI LR-1BS2H)
Wi-Fi roaming	✓
3D obstacle avoidance	Optional
Pallet recognition	Optional
Cage stack	Optional
High shelf pallet recognition	Optional
Pallet stack	✓
HMI display	✓