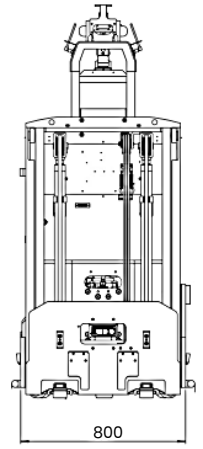
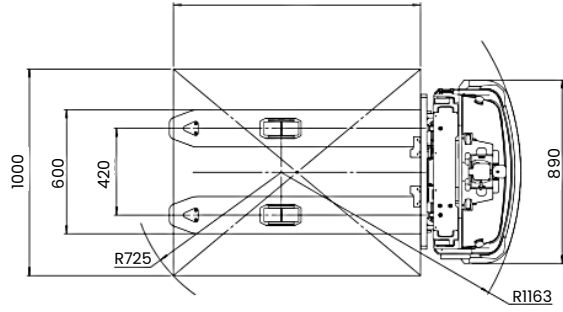
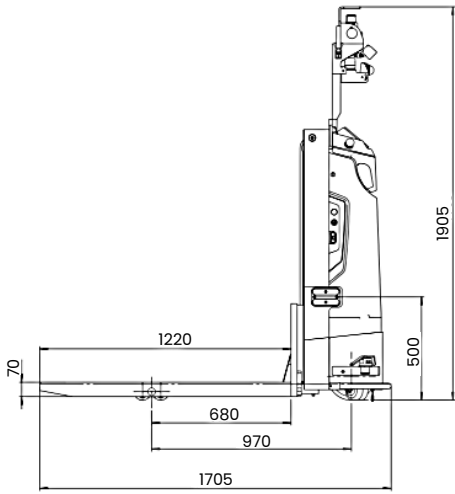


Autonomous Forklift R1400F-LH16-A

LiDAR SLAM Navigation + 1400KG Payload



Dimension



Specification	
Basic parameters	
Name	Autonomous Forklift R1400F-LH16-A
Operation type	Automatic navigation, by manual control device
Navigation mode	LiDAR SLAM
Forklift Dimension (L x W x H)	1705 × 890 × 1905 mm
Fork Dimension (L x W x H)	1220 × 180 × 70 mm
Fork outer width	600/680 mm
Right-angle stacking aisle width, pallet 1000×1200 (1200 placed along the fork)	1886+300 mm
Right-angle stacking aisle width, pallet 800×1200 (1200 placed along the fork)	1821+300 mm
Right-angle stacking aisle width, pallet 1000×1000 (1000 placed along the fork)	1775+300 mm
Minimum turning radius	1163 mm
Weight (with batteries)	780 kg
Maximum payload	1400 kg
Load center distance	600 mm
Standard lifting height	1600 mm
Pallet type	Open Pallet
Network	Ethernet / Wi-Fi 802.11 a/b/g/n/ac
Ambient temperature and humidity range	Temperature: 0~50°C / Humidity: 10~90%, No compression condensation
IP rating [1]	IP20
Performance Parameters	
Driving speed (full load / no load)	1.5 / 1.8 m/s
Passability (slope / step / gap)	5% / 20 mm / 30 mm
Navigation position accuracy	±10
Navigation angle accuracy	±0.5°
Battery Parameters	
Battery specifications	24V / 100Ah (lithium iron phosphate)
Comprehensive battery life	6 hr.
Charging time (10-80%)	1 hr.
Charging method	Manual / Automatic
Safety Parameters	
Emergency stop button	✓
Sound and light indicator	✓
Braking distance (1 m/s / 1.5 m/s)	≤45 cm / ≤60 cm
360° laser protection	✓
Bumper strip	✓
Fork height protection	✓
Functions Parameters	
Wi-Fi Roaming	✓
3D obstacle avoidance	Optional
Cage stack	Optional
High shelf pallet recognition	Optional
Pallet recognition	Optional
Pallet stack	✓
HMI display	✓